

# PRODUCT SPECIFICATION SHEET

## LM6 LED Spotlight



A larger-sized surface mount spotlight. Supplied with mounting bracket. Available in a range of finishes, this fitting can be rotated and tilted to point directly at any objects to be illuminated. This fitting is great for indoor display lighting and is suitable for use where access above or below the mounting surface is not available.

Of course, like for all models in this range there are also high CRI LED array options available making it very suitable for use in display lighting applications. The XIM & XTM module options make for a very high powered spotlight fitting.

### GENERAL INFORMATION

Light Source	White Light LED
LED Module Options	Xicato XIM or Xicato XTM
Colour Temp. Options	2700K or 3000K
Operating Environment	IP20 rated for indoor use only
Material	Aluminium
Available Finishes	Black as standard. Custom RAL finish available to special order
Dimensions	79mm Diameter x 119mm Length
Securing Method	Surface mount, secured with screws

### ARTICULATION

Rotation	360°
Tilt	120° lockable

### XIM MODULE

Power Requirements	48V Constant Voltage
Module Options	9mm LED - 80CRI - 18.8W - 1300lm 9mm LED - 95CRI - 12.5W - 700lm 19mm LED - 80CRI - 12.6W - 1300lm 19mm LED - 95CRI - 17.2W - 1300lm

### XTM MODULE

Power Requirements	Constant Current
Module Options*	9mm LED - 80CRI - max. 15.6W - 1300lm 9mm LED - 95CRI - max. 23.6W - 1300lm 19mm LED - 80CRI - max. 19.9W - 2700lm 19mm LED - 95CRI - max. 19.9W - 2140lm

\*Lower power options are available if required - contact us for details

### OPTICS DATA

Optics Options 9mm LED	12° / 20° / 23° / 35°
Optics Options 19mm LED	21° / 25° / 28° / 41° / 62°

### DRIVER DIMMING OPTIONS

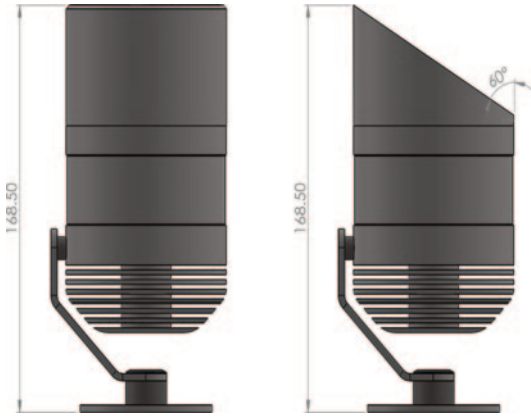
Xicato XIM Modules	Bluetooth
Xicato XTM Modules	DALI, 0-10V or mains

## OPTICAL ACCESSORIES

Option 1	Honeycomb louver
Option 2	Diffuser lens
Option 3A	Straight 50mm snoot
Option 3B	Angled 50mm snoot

**Note:**

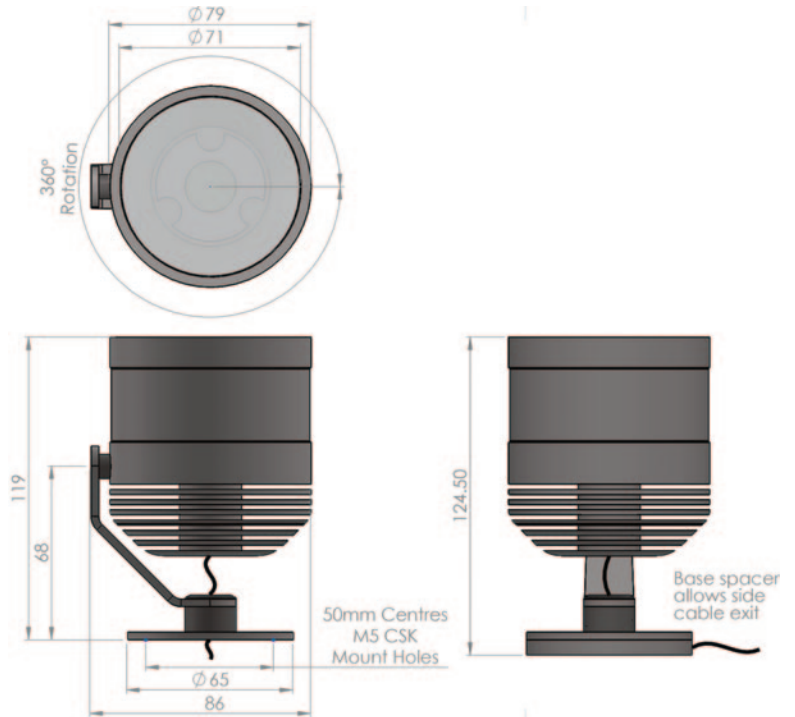
On models fitted with XIM modules only 1 optical accessory can be fitted at a time. Models fitted with XTM modules can accept 2 optical accessories at once.



## MOUNTING ACCESSORIES

Side Cable Exit Adaptor  
Product Code:  
UFO-LM-SCEA

Allows the cable to exit from the side of the mounting foot rather than straight through the back face.



## PRODUCT CODES

MODEL	OPTICS		COLOUR TEMP		FINISH		MODULE		ACCESSORIES	
	Beam	Angle	Temp	Code	Color	Code	Module	Code	Accessory	Code
LM6	9mm	12°	2700K	27	Black	BL	XIM / 9mm LED - 80CRI	XI0980	None	XX
	9mm	20°	3000K	30	Custom	CU	XIM / 9mm LED - 95CRI	XI0995	Honeycomb	HC
	9mm	23°					XIM / 19mm LED - 80CRI	XI1980	Diffuser Lens	DF
	9mm	35°	XIM / 19mm LED - 95CRI	XI1995	Straight Snoot	SS				
	19mm	21°	XTM / 9mm LED - 80CRI	XT0980	Angled Snoot	AS				
	19mm	25°	XTM / 9mm LED - 95CRI	XT0995						
	19mm	28°	XTM / 19mm LED - 80CRI	XT1980						
	19mm	41°	XTM / 19mm LED - 95CRI	XT1995						
	19mm	62°								

LM6	-		-		-		-	
-----	---	--	---	--	---	--	---	--

If you require 2 accessories, detail both codes in the accessories field.

