

Quasar White Light LED Light Source

REVISION: PRE3

Product Overview

The Quasar LED. Extremely high powered light output and full DMX, 0-10V, 1-10V, manual control and DALI (via an optional interface) make this an LED light source unparalleled in its light output and control capabilities.

Utilises industry standard protocols to control the unit's dimming effects. This is the ultimate light source for illuminating fibre optic effect lighting when a crisp, controllable white light is required.

Features an LCD display which provides user feedback for ease of use.

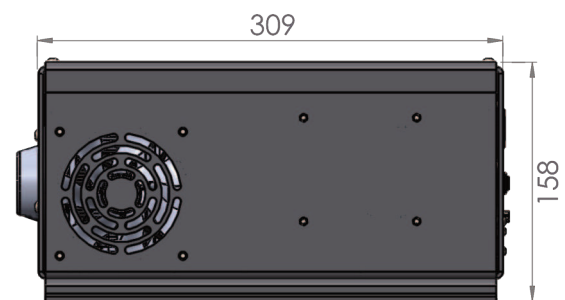
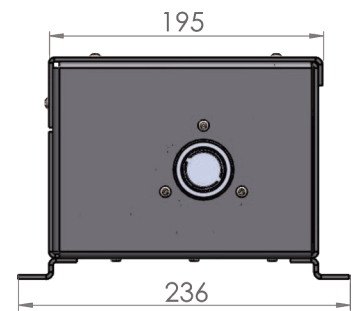
Available in a range of colour temperatures and in both >80CRI and >90 CRI versions.

Fitted with a standard 30mm fibre port connector, this light source is suitable for both new installations and retro-fitting to existing fibre optic installations.



Technical Information

Port Connector Size	30mm diameter
Fibre type	Glass / PMMA
Mains Supply Voltage	100-240V AC, 50-60Hz
LED Power	150W
Min Ambient Temperature	-10°C
Max Ambient Temperature	+45°C
Fans	Crossflow
Led Type	White Light
Dimming Control	Integral DMX, 0-10V, 1-10V & manual control. DALI via optional interface
LED Life	50,000 hours typical
Colour Temperatures @ >80 CRI	3000K / 4000K / 5000K / 5700K / 6500K
Colour Temperatures @ >90CRI	2700K / 3000K / 4000K / 5700K
Typical Luminous Flux	3000K/80CRI: 17974lm 4000K/80CRI: 18438lm 5000K/80CRI: 18653lm 5700K/80CRI: 18840lm 6500K/80CRI: 18992lm 2700K/90CRI: 14805lm 3000K/90CRI: 15400lm 4000K/90CRI: 15633lm 5700K/90CRI: 16174lm
Typical Luminous Efficacy	138 lm/W
Material	Sheet Steel
Finish	Powdercoat Grey
Dimensions (L x W x H)	309mm x 236mm x 158mm



Operating Environment

Light sources are the only part of a fibre optic system that contain electricity and therefore must only be used in dry conditions. We offer a full range of weather resistant enclosures which should be used if the light source is to be located in a wet or humid environment. See our website or contact us for details.

OVER DOUBLE THE LIGHT OUTPUT OF THE SIRIUS - OUR MOST SPECIFIED LIGHT SOURCE.